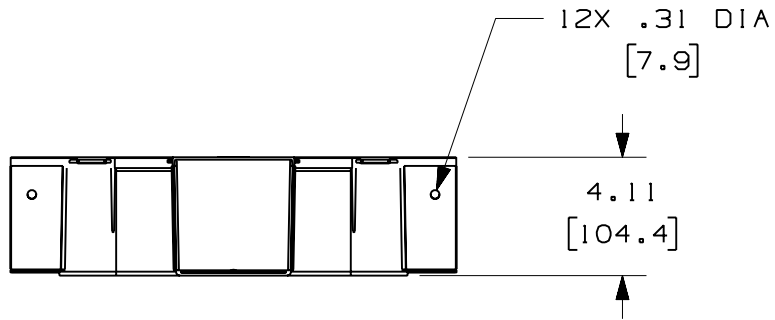
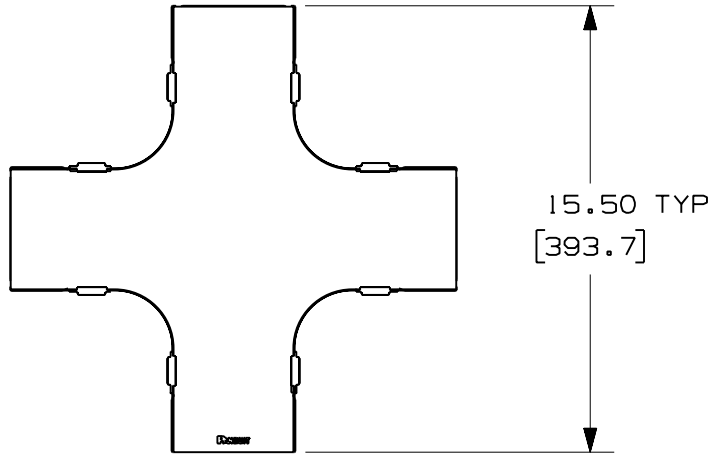


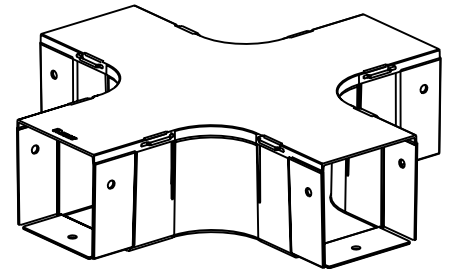
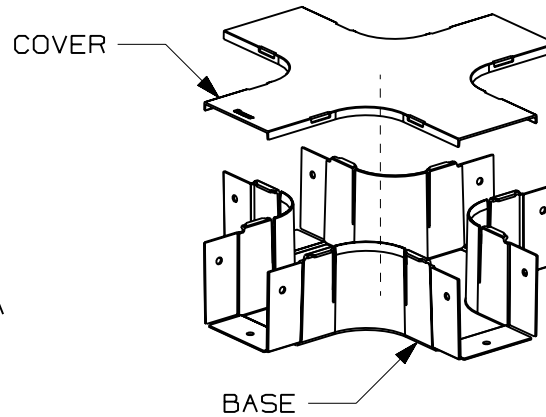
THIS COPY IS PROVIDED ON A RESTRICTED BASIS AND IS NOT TO BE USED IN ANY WAY DETRIMENTAL TO THE INTERESTS OF PANDUIT CORP.



PANDUIT PART NUMBER	WEIGHT
FFWC4X4	1.66 LB/EACH (751g/EACH)

NOTES:

1. SEE CURRENT CATALOG FOR ADDITIONAL PART SUFFIXES TO INDICATE COLOR AND/OR PACKAGE QUANTITY.
2. THE FIBER-DUCT 4x4 FOUR-WAY CROSS FITTING IS DESIGNED WITH A MINIMUM 2" (50.8) BEND RADIUS TO PROTECT FIBER OPTIC CABLES.
3. DIMENSIONS IN PARENTHESES ARE IN METRIC.



ENG. REF.: D35245BC_DC_FFWC4X4_05.prt

CAD FILENAME/LAYERS

FFWC4X4.pdf

PANDUIT CORP TINLEY PARK, ILLINOIS
FIBER-DUCT 4x4 FOUR-WAY CROSS FITTING (FFWC4X4)
 CUSTOMER DRAWING

UNLESS OTHERWISE SPECIFIED, DIMENSIONAL TOLERANCES ARE:

(.X) ± (.XXX) ±
 (.XX) ± .03 (.8) ANGLES ±

UNLESS OTHERWISE SPECIFIED, ALL DIMENSIONS ARE GIVEN IN INCHES, THIRD ANGLE PROJECTION.

DRAWN BY DW

MAT'L:

DATE 10-20-95

ABS

SCALE NONE

DRAWING NO. DWG

35245-03 A

CHK'D CEF

REV	DATE	BY	CHK	DESCRIPTION	ECN	R	CUST	SUP	GMBH
-	-----	---	---	H. REVISED MATERIAL. G. REVISED PART WEIGHT	-----	--	--		
-	-----	---	---	F. REVISED GENERAL NOTES E. REVISED CAD FILENAME	-----	--	--		
4	6-23-06	MSO	RN	D. REVISED DRAWING TITLE C. REVISED AND REDRAWN	35245-03	RN	RN		